

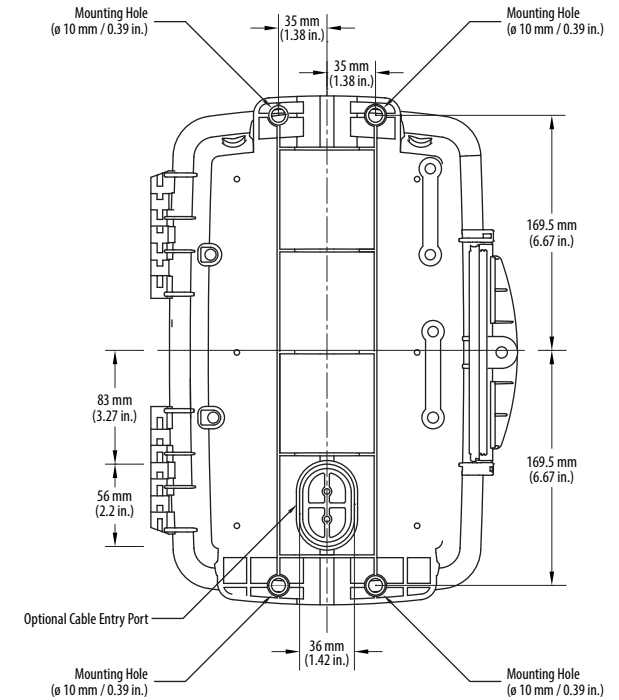
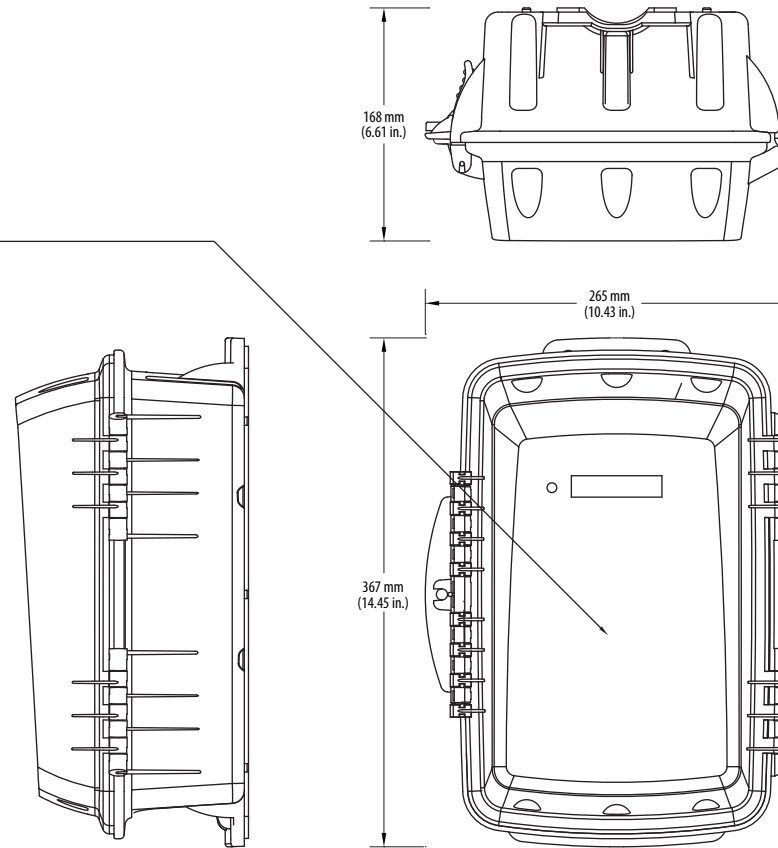
MACE HYDROMACE XCI DEVICE

UV Stabilised Polycarbonate Enclosure Housing the Remote Transmitter

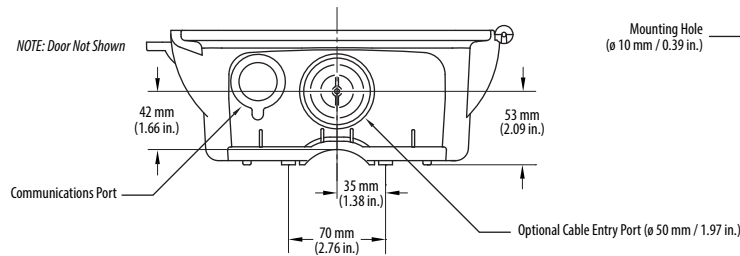
DOCUMENT

PART No. 825-335 Rev. 1.2

UV Stabilised Decal With Membrane Switches



NOTE: Door Not Shown



Part No.	Description
850-367	MACE FloSeries3 - HydroMace XCi

www.macemeters.com

MACE - Australia
 Unit 19 / 276 New Line Road, Dural
 Sydney, NSW 2158, Australia
 Phone: +61 2 9658 1234
 Email: sales@macemeters.com

MACE - United States of America
 In-Situ Inc. 221 East Lincoln Avenue
 Fort Collins, CO 80524, USA
 Phone: 1-800-446-7488 Phone (Int.): +1-970-498-1500
 Email: sales@in-situ.com

mace
 An In-Situ Company