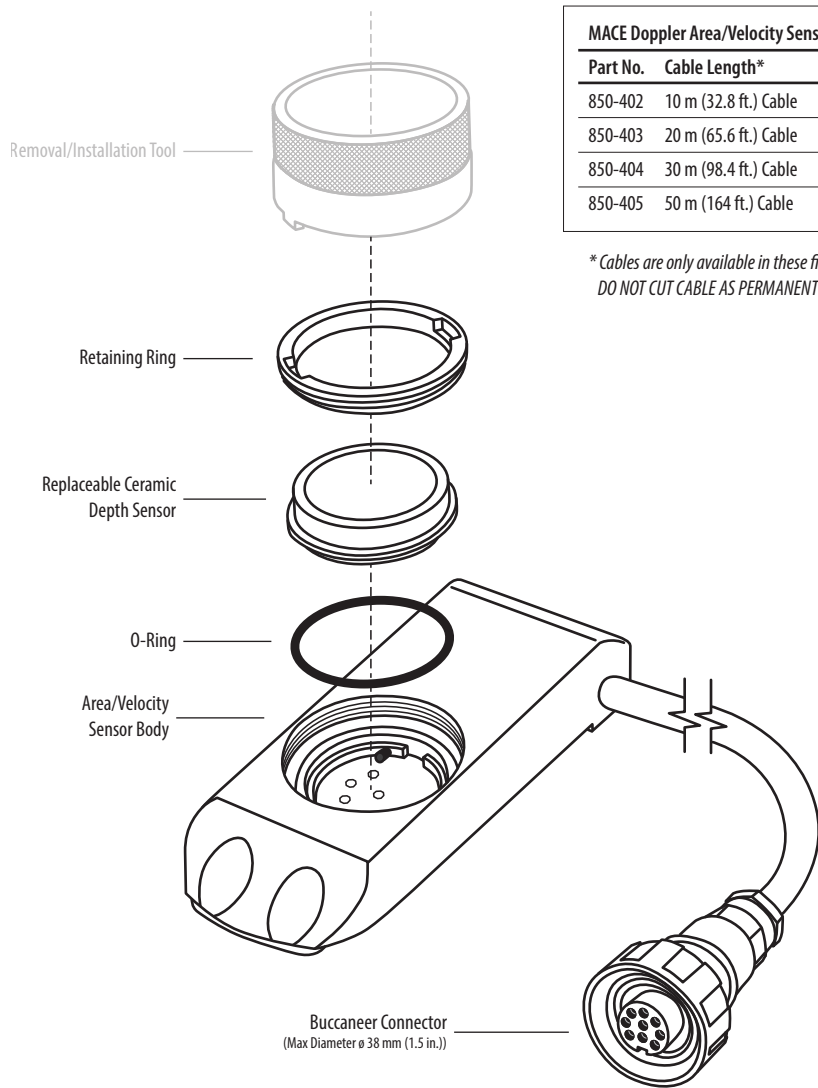


MACE DOPPLER AREA/VELOCITY SENSOR - HVFLO XCI

ZX SnapStrap mounted, combined velocity and depth sensor for use in partially full pipes or open channels

DOCUMENT

PART No. 825-355 Rev. 1.1



MACE Doppler Area/Velocity Sensor for HVFLO XCI

Part No.	Cable Length*	Sensor Wetted Materials
850-402	10 m (32.8 ft.) Cable	PVC, 316 SS, Alumina Ceramic and Epoxy
850-403	20 m (65.6 ft.) Cable	PVC, 316 SS, Alumina Ceramic and Epoxy
850-404	30 m (98.4 ft.) Cable	PVC, 316 SS, Alumina Ceramic and Epoxy
850-405	50 m (164 ft.) Cable	PVC, 316 SS, Alumina Ceramic and Epoxy

* Cables are only available in these fixed lengths
DO NOT CUT CABLE AS PERMANENT SENSOR DAMAGE MAY OCCUR

WARNING
DO NOT CUT CABLE
KEEP DRY
DO NOT ALLOW moisture to enter
connector end or airline at any time.

